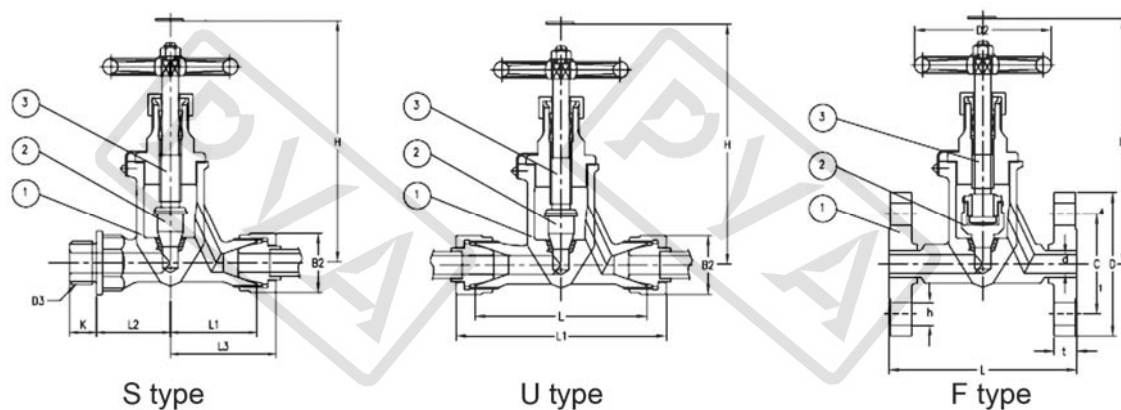


JISF7421 20K FORGED STEEL GLOBE VALVE S/U/F Type



Pressure Test MPa			
Nominal Pressure/PN	2.0MPa	Shell Test	5.1 MPa
		Seat Test	3.74 MPa

Main material for fittings			
Item	Fittings	Material	Mark
1	Body	Forged Steel	SF440A
2	Bonnet	Forged Steel	SF440A
3	Disc	Stainless Steel	SS420J1
4	Seat	Stainless Steel	SS420J1
5	Stem	Stainless Steel	SS400
6	Handwheel	Cast Iron	FC200

Main data for flange connection														mm	
Model	Face To Face Dimension					Structure Dimension							Weight		
	L	L1	L2	L3	K	D	C	n	h	t	H	B2	D3	Kgs	
F7421 20K6S	-	42	38	51	12	-	-	-	-	-	125	30	M20*1.5	1.23	
F7421 20K10S	-	51	45	63	16	-	-	-	-	-	140	41	M24*2	1.59	
F7421 20K6U	84	102	-	-	-	-	-	-	-	-	125	30	-	1.26	
F7421 20K10U	102	126	-	-	-	-	-	-	-	-	140	41	-	1.72	
F7421 20K15F	140	-	-	-	-	95	70	4	15	14	180	-	-	3.90	
F7421 20K20F	160	-	-	-	-	100	75	4	15	16	205	-	-	5.29	
F7421 20K25F	180	-	-	-	-	125	90	4	19	16	225	-	-	7.49	

Design	Check	Signature	Logo	Supplier
asbsey	Chrit	Figor		PROMET VALVES AUSTRALIA
JAN.01,2013	JAN.01,2013	JAN.01,2013		

PROMET VALVES AUSTRALIA

1A Green Road Woodville West SA 5011 Australia / Tel:+61 8 8268 1777 / Fax:+61 8 8268 1711
 promet@prometvalves.com / www.prometvalves.com / ABN47 096 425 697